

SUNON®
POWERFUL HVLS FAN
SERIES 3

Installation Manual

Caution & Safety

WARNING – TO REDUCE THE RISK OF ELECTRIC SHOCK OR INJURY TO PERSONS, OBSERVE THE FOLLOWING :

1. Installation work and electrical wiring must be done by qualified person(s) in accordance with all applicable codes and standards.
2. Do not damage existing wiring and other hidden utilities/devices when cutting or drilling into a wall or ceiling.
3. Use this unit only in the manner intended by the manufacturer. If you have questions, contact the manufacturer.
4. Mounting of the suspension system and replacement of parts of the safety suspension system shall be performed by the manufacturer, its service agent, or suitably qualified persons.
5. Do not operate any fan with a damaged cord or plug. Please contact manufacturer and qualified technician for examination and/or repair.
6. Before servicing or cleaning unit, turn off all the power switches to prevent power from being switched on accidentally. When the circuit breaker cannot be locked, securely fasten a prominent warning device, such as a tag, to the service panel.
7. SUNON provides installation guide for mounting fans; however, it is the sole responsibility of the building owner and installer to ensure the safety of the mounting system, that the building structure is sound and that the installation complies with all federal, state, and local codes.
8. While turning on power to the fan, please use it with caution. DO NOT connect the fan to a damaged/dangerous power source. DO NOT attempt to resolve electrical problems by yourself. Please SEND the fan back to authorized service center for examination and/or repair. If there is any question with installation, please contact customer service.
9. When service or replacement of a fan component requires the removal or disconnection of a safety device, the safety device is to be reinstalled or remounted as previously installed.
10. Do not bend the airfoils when installing, servicing, or cleaning the fan. Do not insert foreign objects between rotating airfoils.
11. This appliance can be used by children aged from 8 years and above and persons with reduced physical, sensory or mental capabilities or lack of experience and knowledge if they have been given supervision or instruction concerning use of the appliance in a safe way and understand the hazards involved.
12. SUNON Fans product warranty will not cover equipment damage or failure that is caused by improper installation or use.
13. If unusual oscillating movement is observed, immediately stop using the ceiling fan and contact the manufacturer, its service agent, or suitably qualified persons.
14. Powerful HVLS Fan controller is equipped with a memory function. After disconnecting power, it still remembers the previous operation mode. Once turning on power to the fan, it also keeps previous operation mode.
15. Please use this unit only the manners specified by the company. Please contact customer service if you have questions.

Thank you for purchasing SUNON products!

Please read this manual carefully before use, use the product accordingly and keep the manual in safe place.

In order to protect your rights and interests, please make sure that the dealer records the purchase date, dealer's name, etc. on the guarantee.

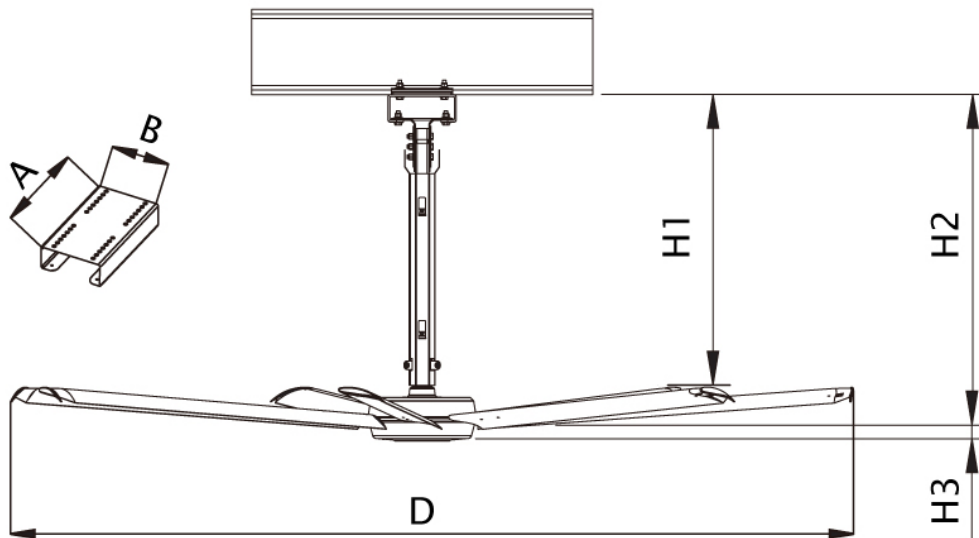
Table of Contents

Page	Introduction
4	Fan Outline
5	Product Specifications
6	Installation Precautions
7	• The Placement & Clearance between Fan and Obstructions
7	• The Placement & Clearance between Fan and HVAC Diffuser
Page	Pre-Installation
8	Inside the box
9	Tools Required for Installation
9	Fan Diagram
10	Pre-Installation Checklist
Page	Installation Overview
11	I-beam
Page	Installing the Fan
12	Installation Method
17	Fan Connection
	• Warning
	• Power Requirements
	• Recommended Wire Specification
18	Wiring Diagram
19	RF Remote Control
Page	Information
20	Troubleshooting
20	General Troubleshooting
21	Maintenance
22	Powerful HVLS Fan Series 3 Model List
23	Warranty

Introduction

Thanks for choosing our products, Powerful HVLS Fan is an efficient, economical and stylish choice. It's energy-saving, eco-friendly design brings excellent airflow to space. We assure you this appliance will make your space cozier and occupant comfort in the near future.

Fan Outline



D	A	B	H1	H2	H3
8 ft / 2.5 m	1.1 ft /350 mm	0.65 ft /200 mm	2.8 ft /840 mm	3.3 ft /1000 mm	0.11 ft /35 mm
10 ft / 3.0 m					
12 ft / 3.6 m					
14 ft / 4.2 m					

Product Specifications

Powerful HVLS Fan Series 3–8 ft (2.5 m)

Input Voltage (VAC)	Input Frequency (Hz)	Maximum Rated Power (W)	Maximum Rated Current (A)	Maximum RPM (RPM)	Noise (dB(A))
200–240	50/60	335	2.04	150	<40

Powerful HVLS Fan Series 3–10 ft (3 m)

Input Voltage (VAC)	Input Frequency (Hz)	Maximum Rated Power (W)	Maximum Rated Current (A)	Maximum RPM (RPM)	Noise (dB(A))
200–240	50/60	232	1.44	100	<40

Powerful HVLS Fan Series 3–12 ft (3.6 m)

Input Voltage (VAC)	Input Frequency (Hz)	Maximum Rated Power (W)	Maximum Rated Current (A)	Maximum RPM (RPM)	Noise (dB(A))
200–240	50/60	176	1.12	70	<40

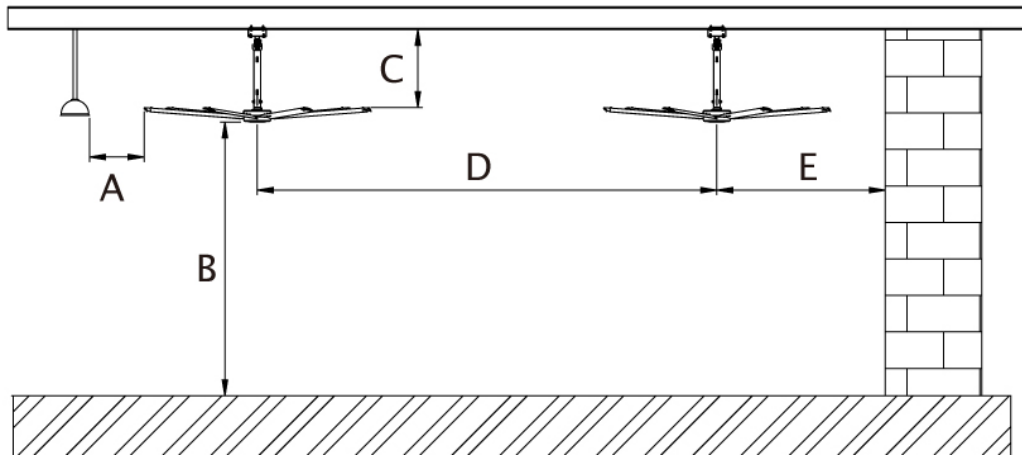
Powerful HVLS Fan Series 3–14 ft (4.2 m)

Input Voltage (VAC)	Input Frequency (Hz)	Maximum Rated Power (W)	Maximum Rated Current (A)	Maximum RPM (RPM)	Noise (dB(A))
200–240	50/60	171	1.10	56	<40

Installation Precautions

1. This HVLS fan need a proper device which can support its weight such as aerial work platform and at least two installation persons.
2. Please switch off all the power supply before installation to avoid the risk of electric shock or lighting shock.
3. All wiring construction must comply with the national electrical codes, standards and the local electrical law, then must be installed by professional technicians or personnel.
4. An earth leakage circuit breaker (<30 mA) should be installed between the appliance and the power switch.
5. The power switch must be fitted with a fuse (≥ 20 A).
6. The hanger must be securely mounted to the ceiling or beam.
7. Do not damage electrical wiring and other hidden utilities/devices when installation.
8. To avoid fire or other hazards, make sure that the wires are completely inside, no any wire exposed outside the fan appearance or other parts.
9. Do not bend the airfoils when installing the fan.
10. The HVLS fan model covered by the installation instructions must comply with this installation manual and all national/local electrical codes to avoid personal injury or property damage.
11. Please ensure that this application is equipped with AC single phase 200–240 V before installation.
12. All fan parts must be ≥ 2 ft (0.6 m) from all obstructions. The fan installation area must be free of obstructions such as lights, cables, sprinklers, or other building structure components.
13. The distance should be at least 3.3 ft (1 m) from the top of the winglet to the ceiling and no obstructions in this area.
14. The fan must be installed so that it is at least 10 ft (3.05 m) above the finished floor.
15. Multiple fans must be spaced at a center-to-center distance that is no less than 3x the fan diameter.
16. The fan should not be located near to air supply outlets or exhausting inlets of other HVAC equipment. Air supply outlets/inlets can be configured to deliver air away from the fan and outside the swept area of the fan.
17. If the fan is mounted at the same level or higher than an HVAC diffuser, the winglets must be at a distance that is at least 1.5x the measure of the fan's diameter. If the fan is mounted below an HVAC diffuser, the winglets must be at a distance that is at least 2.5x the measure of the fan's diameter.
18. Pleases see the manufacturer's requirements for the minimum clearance to combustibles.
19. The fan inlet or other return air point that produces negative pressure should be bigger than 1 times the diameter of the ceiling fan. This system will reduce the airflow of the HVLS fan.
20. Proper systems orientation will provide an enhancement to the Indoor Air Quality and occupant comfort. Please refer to the illustration below.

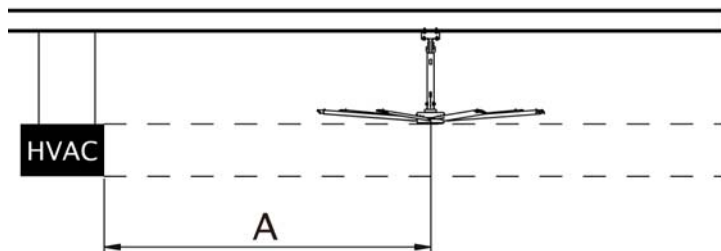
The Placement & Clearance between Fan and Obstructions



- A- The tip of airfoil need at least 2 ft (0.6 m) away from light or any equipment and no obstacles.
- B- The Ceiling fan need at least 10 ft (3.05 m) away from floor.
- C- The tip of the airfoil need at least 3.3ft (1 m) away from beam / ceiling and no obstacles.
- D- Spacing between fans at least 3x diameter of the fans apart.
- E- Space from wall at least 1.5x diameter away from the wall.

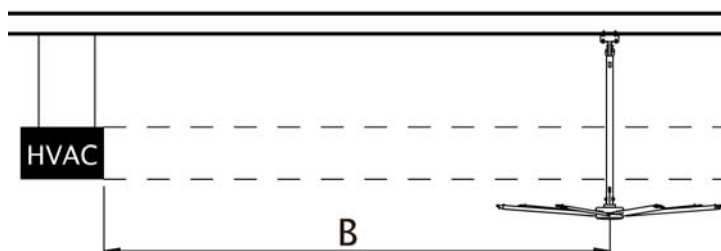
The Placement & Clearance between Fan and HVAC Diffuser

- The HVLS fan position need to above the HVAC outlet



A: The distance between the center of the ceiling fan and HVAC equipment need to at least 1.5x diameter.

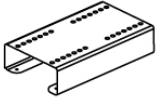







- The HVLS fan position need to below the HVAC outlet







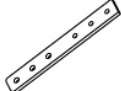
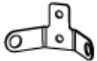
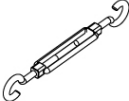

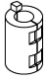









B: The distance between the center of the ceiling fan and HVAC equipment need to at least 2.5x diameter.

Inside the box

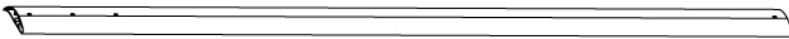
Main Box

			
Yoke*1	Fixed Angle Mount Bracket*1	Motor*1	Remote Control*1
			
Extension Tube*1	Extension Tube Shield*2	Safety Cable*1	Wire Rope Clamp*20

Hardware and Bolt Kits

				
Fixed Angle Mount Bracket Shim*2	Yoke Shim *4	Yoke Clamp *2	Winglet*7	Extension Tube Clamp *2
				
Guy Wire Bracket *2	Turnbuckle*4	Beam Clamp Set*4	Ferrite Bead Clamp*1	Earth Wire*1
				
4 4 4 4	4 4 4 4	3 3 3	6 6	
M10 50L 4 Bolt Kit	M10 35L 4 Bolt Kit	M10 70L 3 Bolt Kit	M8 15L 6 Bolt Kit	
				
3 3 3 3	4	7 7 7 7	21 21 21 21	
M8 55L 3 Bolt Kit	M6 16L 4 Bolt Kit	M6 35L 7 Bolt Kit	M6 35L 21 Bolt Kit	

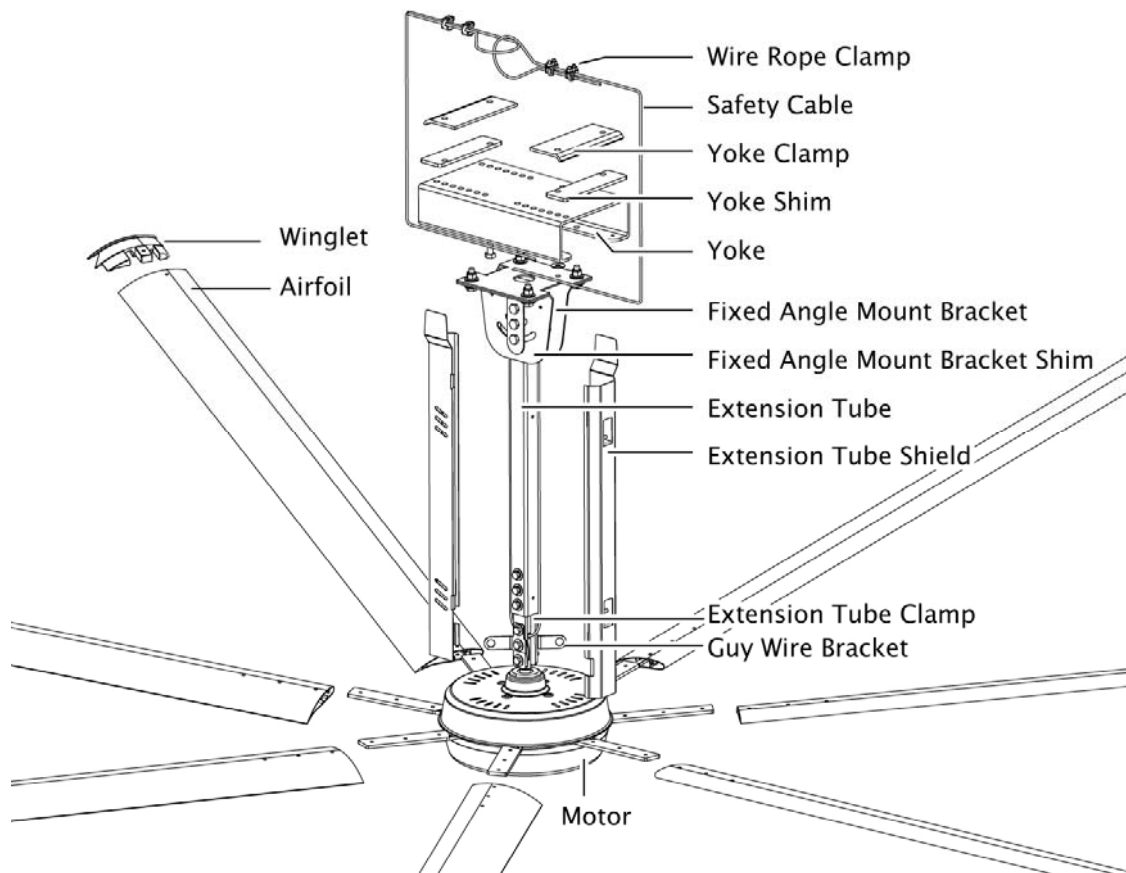
Airfoil Box

	Airfoils *7
--	-------------

Tools Required for Installation

Mechanical Installation	Electrical Installation
<ul style="list-style-type: none"> ● Standard wrench/socket set ● Standard Allen wrench set ● Torque wrench 50~300 kgf.cm (For inspection purpose) ● Guy wire cutter ● Galvanized wire Ø4 mm (Trim the wire length according to the situation) ● Electronic level 	<ul style="list-style-type: none"> ● Phillips screwdriver ● Flat head screwdriver ● Crimping Pliers ● Utility Knife ● Multimeter ● Pair of #14 to #24 AWG strippers ● Diagonal Pliers

Fan Diagram

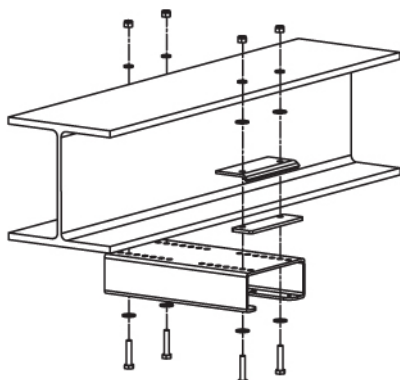
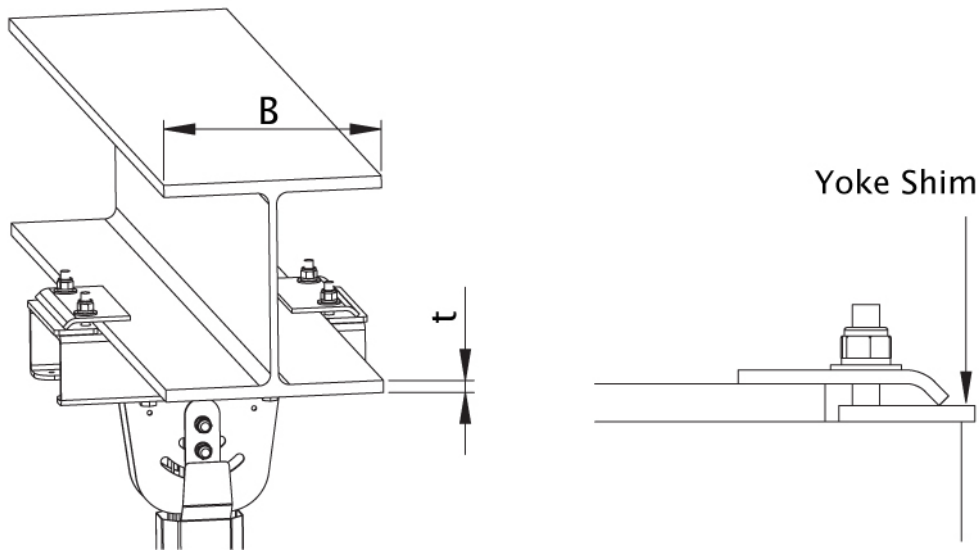


Pre-Installation Checklist

	<p>Equipped with appropriate mounting kit for roof pitch. The fan can only be mounted to the I-beam. DO NOT mount the fan directly to a single stringer, truss shelf or light steel shelf. For installation methods not included in this manual, please consult a structural engineer.</p>
	<p>The mounting structure approved by structural engineers. The mounting system must be able to withstand the torque generated by the fan.</p>
	<p>Having been familiar with the functions of the safety cable. °</p>
	<p>For the fan installation, the fan blades should be at least 10 feet (3.05 meters) above the ground. (Please refer to “The Placement & Clearance between Fan and Obstructions ” Page 7)</p>
	<p>For the fan installation, the distance between the blades and other objects/building structure should be at least 2 feet (0.6 meters). (Please refer to “The Placement & Clearance between Fan and Obstructions ” Page 7)</p>
	<p>The center-to-center distance between two fans should be at least 3 times the diameter of the fans. (Please refer to “The Placement & Clearance between Fan and Obstructions ” Page 7)</p>
	<p>When installing the fan, make sure the fan is not affected by high winds from HVAC systems or large garage doors. (Please refer to “The Placement & Clearance between Fan and HVAC Diffuser ” Page 7)</p>
	<p>The yoke kit size should match the I-beam. (Please refer to “I-beam” Page 11)</p>
	<p>The power supply unit complies with the specification of the frequency converter, and the wires pass through the fan installation position. For power requirements, please refer to voltage sticker on the fan.</p>
	<p>The airfoil should not be mix up with other airfoil boxes.</p>

I-beam

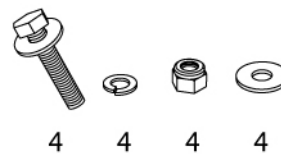
The yoke to I-beam for this HVLS fan is attached in our product. The yoke only can be used within the width of 100–300 mm (B) and thickness of 20 mm I-beam. Within the thickness of 14 mm (t), the yoke only need to use 1 yoke shim. The thickness of 14–20 mm (t), the yoke need 2 shims. We do NOT suggest installing the HVLS Fan on the fabricated I-beam, please consult with the structural engineer to make sure your building is approved for fan installation.



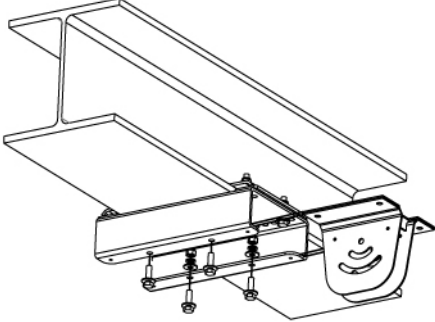

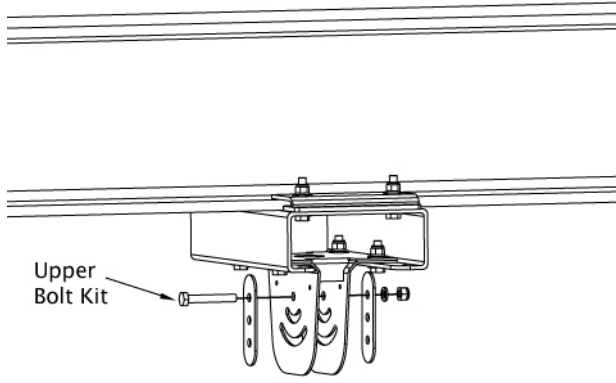
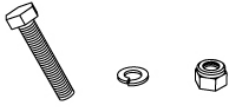
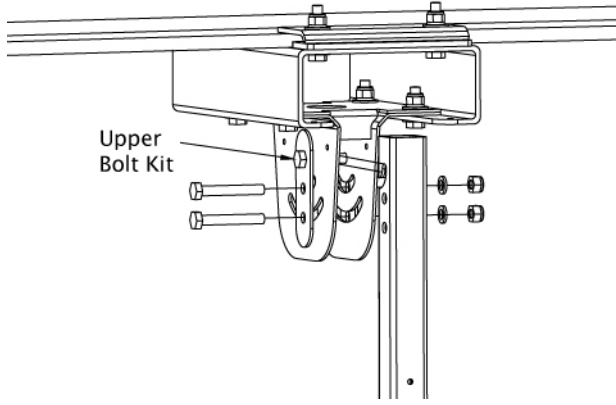
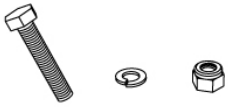
Place the yoke into proper position and secure it to the I-beam with bolt kits.

*Recommended Tightening Torque :
24 N.m (240 Kgf.cm).

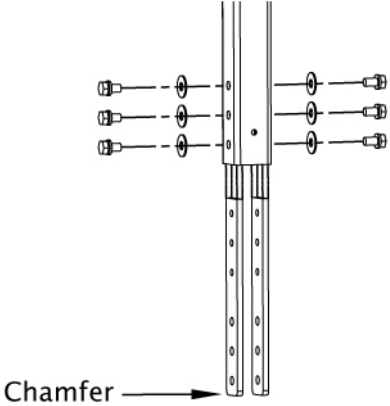

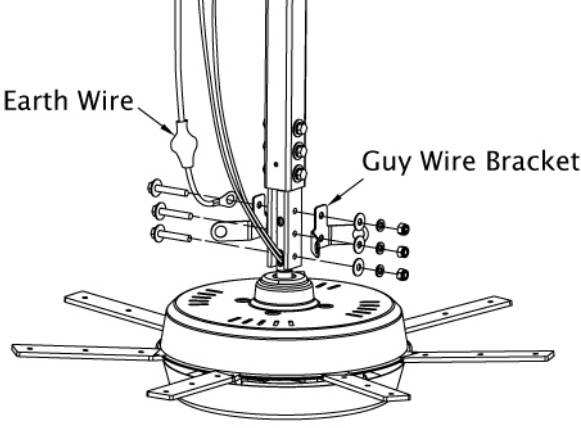

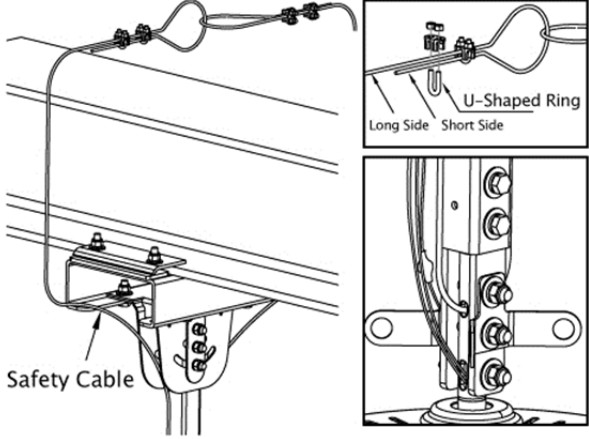

M10 50L 4 Bolt Kit



Installation Method

	<p>1-1 Please refer to the installation overview for the yoke installation.</p> <p>1-2 Slide the fixed angle mount bracket into the yoke, and secure it with the yoke.</p> <p>*Recommended Tightening Torque: 24 N.m(240 Kgf.cm)</p> <p>M10 35L 4 Bolt Kit</p>  <p>4 4 4 4</p>
 <p>Upper Bolt Kit</p>	<p>2-1 Please take out 1 bolt kit, pre-fasten fixed angle mount bracket and shim on the upper bolt kit of the fixed angle mount bracket.</p> <p>*Recommended Tightening Torque: 24 N.m(240 Kgf.cm)</p> <p>M10 70L 3 Bolt Kit</p>  <p>3 3 3</p>
 <p>Upper Bolt Kit</p>	<p>3-1 Insert the extension tube into the upper bolt kit on fixed angle mount bracket.</p> <p>3-2 Insert the remaining 2 bolt kits into the extension tube.</p> <p>3-3 Make sure the extension tube with the horizon is 90 degrees, and securely tighten the 3 bolt kits.</p> <p>*Recommended Tightening Torque: 24 N.m (240 Kgf.cm)</p> <p>M10 70L 3 Bolt Kit</p>  <p>3 3 3</p>

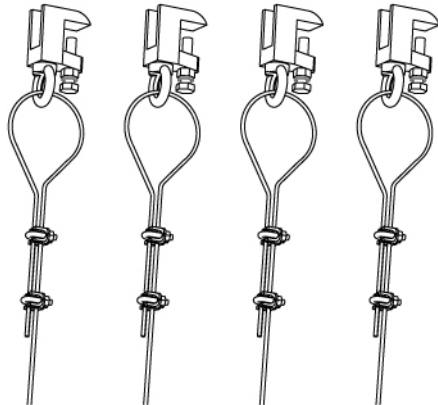

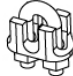
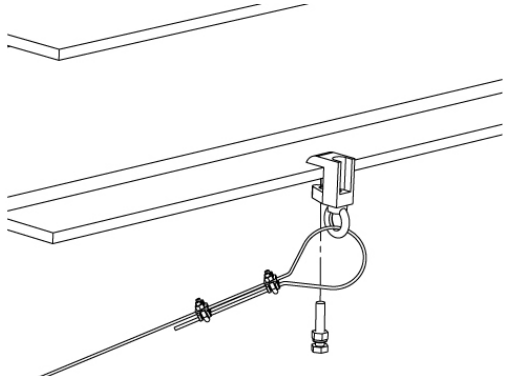
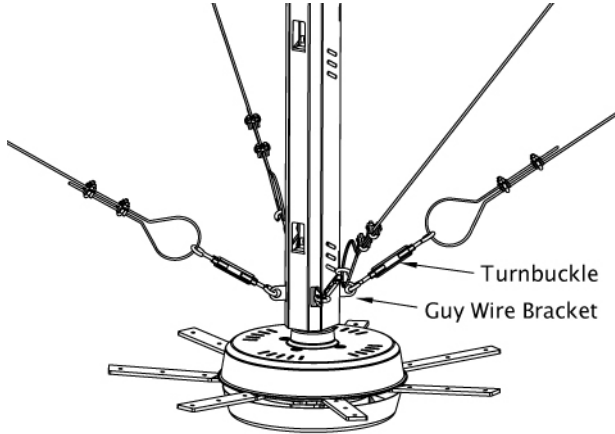
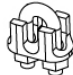
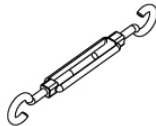
Installing the Fan

 <p>Chamfer →</p>	<p>4-1 Insert the extension tube clamp into the extension tube, make sure the chamfer faces downward as shown in the picture, and secure them with 6 bolt kits.</p> <p>*Recommended Tightening Torque: 12 N.m (120 kgf.cm)</p> <p>M8 15L 6 Bolt Kit</p>  <p>6 6</p>
 <p>Earth Wire</p> <p>Guy Wire Bracket</p>	<p>5-1 Insert the shaft of the motor between two extension tube clamps, then take out the earth wire and the guy wire brackets as shown in the picture, then secure them with 3 bolt kits.</p> <p>*Recommended Tightening Torque: 12 N.m (120 Kgf.cm)</p> <p>M8 55L 3 Bolt Kit</p>  <p>3 3 3 3</p>
 <p>Safety Cable</p> <p>U-Shaped Ring Long Side Short Side</p>	<p>6-1 Wrap safety cable around the I-beam and insert it through the shaft of the motor.</p> <p>6-2 Secure safety cable with wire rope clamp. Make sure the U-shaped ring inside the wire rope clamp is tightened to the short side.</p> <p>*Recommended Tightening Torque: 5 N.m (50 Kgf.cm).</p> <p>Safety Cable Wire Rope Clamp</p>  <p>1 4</p>

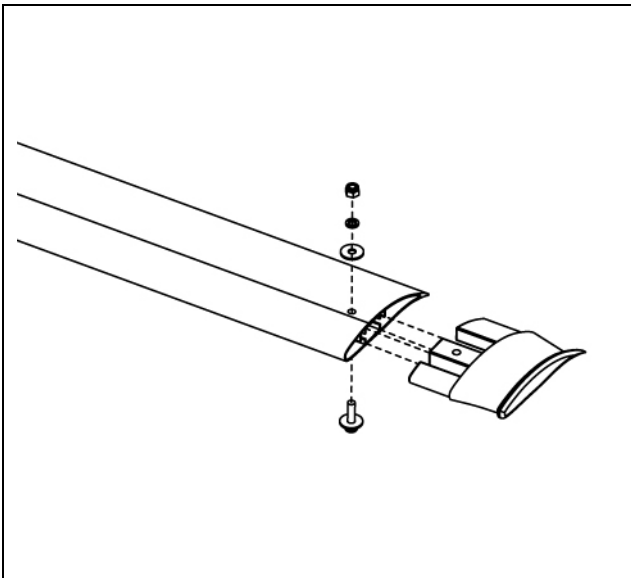
Installing the Fan

	<p>7-1 Through earth, live and neutral wires into ferrite bead clamp, and wrap a circle.</p> <p>7-2 Connecting the earth, live and neutral wires with motor and mains power.</p> <p>(Please refer to "Wiring Diagram" Page 17)</p> <p>L : Live wire</p> <p>N : Neutral wire</p> <p>E : Earth wire</p>
	<p>8-1 Secure the two extension tube shields with the extension tube. Please note that the two shields must be jointed by tenon and mortise.</p> <p>Caution: Do Not damage power wires while installing extension tube shields.</p> <p>*Recommended Tightening Torque: 5 N.m (50 Kgf.cm) M6 16L 4 Bolt Kit</p> <p>4</p>
	<p>9-1 Prepare 4 guy wires with $\varnothing 4\text{mm}$ when installation (The technician needs to prepare the guy wires and tailor them according to the field situation).</p> <p>9-2 Looking up from the bottom of the ceiling fan, the angle between each wire and I-beam is recommended to be 45 degrees.</p> <p>9-3 The angle of the guy wires should be 45 degrees angle from the horizon.</p>

Installing the Fan

	<p>10-1 Pre-made 4 sets of beam clamp, wire rope and guy wire on the ground to speed up the efficiency.</p> <p>*Recommended Tightening Torque : 5 N.m(50 Kgf.cm)</p> <p>Beam Clamp Set Wire Rope Clamp</p>   <p>4 8</p>
	<p>11-1 Attach the beam clamp set to the I-beam and securely tighten to the proper position based on step 9.</p> <p>*Recommended Tightening Torque : 12 N.m (120 Kgf.cm)</p>
 <p>Turnbuckle Guy Wire Bracket</p>	<p>12-1 Securely tighten the two sides of the turnbuckle with the guy wire bracket and the guy wire. Repeat this step to complete 4 sets refer to the fasten instruction as shown in the picture.</p> <p>12-2 Adjust the turnbuckle to balance the motor.</p> <p>*Recommended Tightening Torque : 5 N.m(50 Kgf.cm)</p> <p>Wire Rope Clamp Turnbuckle</p>   <p>8 4</p>

Installing the Fan



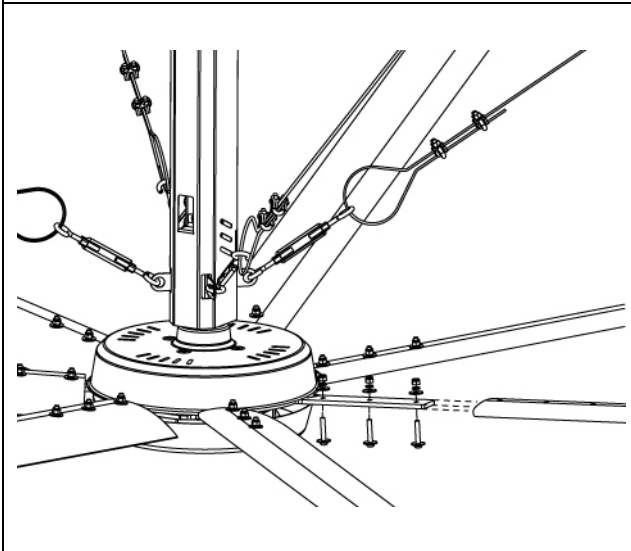
13-1 Insert the winglet into the airfoil then tighten up. The nut should be secured above the convex side of the airfoil. (Please process this step on the ground.)

***Recommended Tightening Torque:
5 N.m(50 Kgf.cm)**

M6 35L 7 Bolt Kit



7 7 7 7



14-1 Insert the airfoil into the airfoil strut and tighten with 21 bolt kits as shown in the picture.

***Recommended Tightening Torque:
5 N.m (50 Kgf.cm)**

M6 35L 21 Bolt Kit



21 21 21 21

Fan Connection

Warning

- To avoid the risk of electric shock, please make sure that the wiring is in good electrical condition and all electricity supply should be disconnected. Above wiring should be implemented by a qualified electrician.
- To avoid the risk of electric shock, please make sure that all wires are insulated properly before the fan is turn on.
- Powerful HVLS Fan warranty will not cover the equipment damage or failure caused by improper installation.
- Powerful HVLS Fan installation should follow national electrical code and standard.

Power Requirements

This appliance connecting to AC single phase 200–240 V. Please see the voltage sticker on this HVLS fan, avoid any voltage transform in case of danger/damage during installation.

Airfoil Dimension	Input Condition	Rated Current
8 ft (2.5 m)	200–240 V~ 50/60 Hz 1Ø	2.04 A
10 ft (3.0 m)	200–240 V~ 50/60 Hz 1Ø	1.44 A
12 ft (3.6 m)	200–240 V~ 50/60 Hz 1Ø	1.12 A
14 ft (4.2 m)	200–240 V~ 50/60 Hz 1Ø	1.10 A

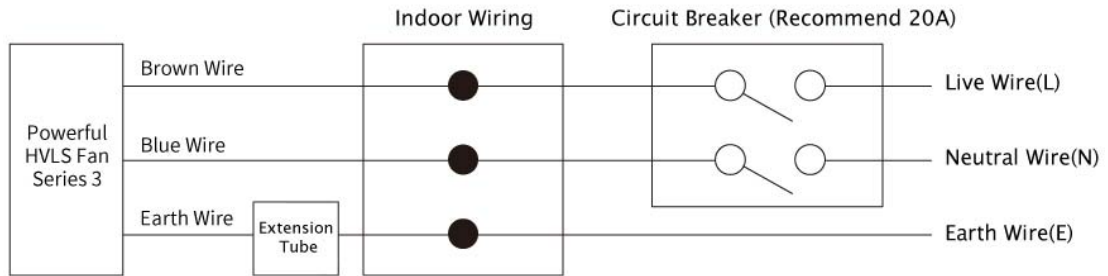
Wiring Color Codes

	Earth Wire (E or PE)	Live Wire (L or L1)	Neutral Wire(N or L2)
North America	GREEN	BLACK	WHITE
Europe	GREEN YELLOW	BROWN	BLUE
Taiwan	GREEN YELLOW	BROWN	BLUE
Other	GREEN YELLOW	BROWN	BLUE

Recommended Wire Specification

The minimum specification for the power wire is PVC covered, single PVC insulated wire 2.0mm² / 3 core.

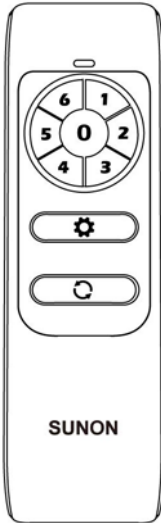


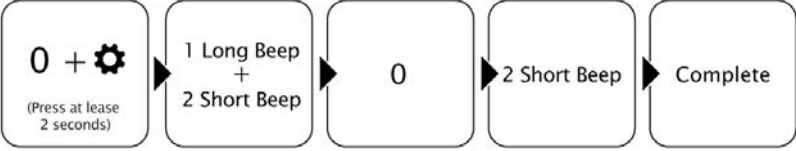
Wiring Diagram



Notes : A set of terminals can be connected to the cable for fixed wiring.

For example : crimped connector or other similar devices.

RF Remote Control

	BUTTON	FUNCTION
	1-6	Press each button to turn on the fan then you can set up the air volume. The number stands for air volume from low to high in numerical order (1 lowest to 6 highest volume). Press each button and the fan will give a short beep, you activate the fan successfully.
	0	Press the button to turn off the fan, it will give a short beep after the fan receives it successfully.
		Press the button to switch the fan direction, it will give 2 beeps after the fan receives successfully.
	0 + 	Press these two buttons at same time to enter the pairing process. Default is forward. The HVLS fan should rotate counterclockwise when viewed from the ground.
<p>Remote Control Pairing</p> <ul style="list-style-type: none"> - It only needed for first-time setup - Make sure the wiring of the ceiling fan is installed by the above instructions and turn on the power. - After turn on the power, it must enter the pairing process in one minute. - Please follow the pairing steps as below. <div style="text-align: center;">  </div> <p>If you fail to pair, please turn off the power and restart the above process 5 minutes later. Please repeat the remote control pairing process if the remote control or the drive is changed.</p>		

Battery Installation

- Remove the battery cover and install two AAA batteries.
- Remove the batteries when not used for a long time. Please recycle the used batteries.

Operation Precautions

1. Make sure the airfoils are standstill before you turn on the fan every time.
2. Press "0" to turn off the fan, DO NOT touch the fan and airfoils once its standstill.
3. Once you press any buttons, the fan will receive the final order and spin direction. DO NOT touch the fan and airfoils during the procedure.

Troubleshooting

- ▲ **WARNING** - Any fan component replacement, removal or disconnection of a safety devices, all safety device must be reinstalled as formerly setting.
- ▲ **WARNING**- Please use this unit in accordance with the manufacturer’s instructions. If you have any questions, please contact the manufacturer.
- ▲ **WARNING**- Turn the power off before maintaining or cleaning the unit in case of the power from being accidentally switched.

General Troubleshooting

Issues can be resolved before reaching out the service. Refer to the tips below before contacting Customer Service.

Symptom	Possible Solutions
Abnormal sound from the fan. Airfoil noise occurs when airfoils are not tightened to the specified torque.	Turn off the fan power, and then tighten the airfoil fasteners to 5 N.m (50 Kgf.cm). If the abnormal sound still occurs, please confirm if the airfoils are not contacting each other. If they are, please contact customer service.
The fan is standstill.	Verify the following : <ol style="list-style-type: none"> 1. Power supply is fully functional. 2. Press the remote control, make sure all buttons and light signals are functional. 3. Verify the 2 short beeps after the power set-up is functional. 4. Please make sure if the pairing of the remote control is successful. 5. If the fan still does not start, please contact customer service.

Maintenance

WARNING - TO REDUCE THE RISK OF FIRE, ELECTRIC SHOCK, OR INJURY TO PERSONS, OBSERVE THE FOLLOWING:

1. Turn the power off before maintaining or cleaning unit in case the power from being electrical shock.
2. Any fan component replacement, removal or disconnection of a safety device, all safety devices must be reinstalled as formerly setting.
3. Please schedule an annual maintenance to ensure the fan's safety and efficient operation.
4. Ensure the fan spin direction is proper, the ceiling fan should rotate in a counterclockwise direction (View from the ground).
5. Please use a gentle cleaner or degreasing agent when dusting the motor. DO NOT use chlorine-based cleaning products in case of toxic/fatal fumes exposure.
6. Check all the connections such as safety cables, mounting parts is tighten. Also make sure the mounting system is securely tighten. Any wobbling problems should not happen when you switch on the fan. If any wobbling problem is noticed, make sure the mounting structure is strong enough to support the fan and the wire, make sure you used and tighten your wires, if the wires were not installed, SUNON suggests you to do the wire installation, please contact the customer service if wobbling persists.
7. If the bolt kits are loosened during maintenance, please re-apply the anaerobic adhesive.
8. If you have any questions, please contact Customer Service.

WARNING - Please DON'T use the damaged or lacking fan components, please contact Customer Service.

Powerful HVLS Fan Series 3 Model List

Taiwan

Airfoil Dimension	RF Version
8 ft (2.5m)	BCTE1BA100A-01S
10 ft (3m)	BCTE1BA120A-01S
12 ft (3.6m)	BCTE1BA144A-01S
14 ft (4.2m)	BCTE1BA168A-01S

Europe

Airfoil Dimension	RF Version
8 ft (2.5m)	BCEE1BA100A-01S
10 ft (3m)	BCEE1BA120A-01S
12 ft (3.6m)	BCEE1BA144A-01S
14 ft (4.2m)	BCEE1BA168A-01S

All other regions

Airfoil Dimension	RF Version
8 ft (2.5m)	BCNE1BA100A-01S
10 ft (3m)	BCNE1BA120A-01S
12 ft (3.6m)	BCNE1BA144A-01S
14 ft (4.2m)	BCNE1BA168A-01S

Warranty

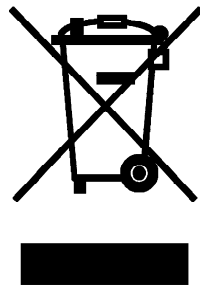
Purchase Date	DD MM YY
Serial Number	
Retailer's Stamp	<p>We offer 1 year warranty of our product starting from your purchase date.</p> <p>The following scenarios are excluded from our warranty service. Repairing request will be accepted, but the customer will be charge for cost and service fee.</p> <ol style="list-style-type: none"> 1. Damage of improper installation. 2. Damage of retrofit. 3. Damage of force majeure: Nature, actions of third parties 4. Damage of misuse, abuse, accident. 5. Damage of improper transportation. 6. The warranty document, purchase date or purchase confirmation (like invoice) from authorized dealer cannot be provided by the customer.

Do not dispose of electrical appliances as unsorted municipal waste, use separate collection facilities.

Contact your local government for information regarding the collection systems available.

If electrical appliances are disposed of in landfills or dumps, hazardous substances can leak into the groundwater and get into the food chain, damaging your health and well-being.

When replacing old appliances with new ones, the retailer is legally obligated to take back your old appliance for disposal at least for free of charge.



SUNON®

Sunonwealth Electric Machine Industry Co., Ltd.
80673 No. 30, Ln. 296, Xinya Rd., Qianzhen Dist.,
Kaohsiung City 806, Taiwan (R.O.C.)
e-mail : sunon@sunon.com
www.sunon.com

20210607 (V1)